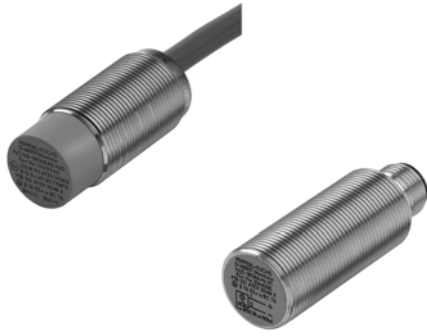


1
.1.1



Properties

- Ø18 mm housing
- 5 mm to 8 mm flush and non-flush mountable versions
- DC, NAMUR interface
- Cable and connector versions

Your Benefit

- ATEX approved sensor applicable up to zone 0 and zone 20
- Usable up to SIL2 acc. to IEC 61508

Technical Data

For detailed data and product description refer to the data sheets at www.pepperl-fuchs.com

General Data

Switching element function	NAMUR, NC
Nominal voltage	8.2 V (R _i approx. 1 kΩ)
Ambient temperature	-25 ... 100 °C (-13 ... 212 °F)
Housing material	Stainless steel 1.4305 / AISI 303

Model Number

		green = preferred type							
Rated operating distance	5 mm	●	●	●	●	●	●	●	●
	8 mm		●	●	●	●	●	●	●
Installation	flush	●	●	●	●	●	●	●	●
	non-flush		●			●			●
Current consumption									
Measuring plate detected	≤ 1 mA	●	●	●	●	●	●	●	●
Measuring plate not detected	≥ 2.2 mA				●				●
	≥ 3 mA	●	●	●	●	●	●	●	●
Switching frequency	0 ... 1000 Hz				●				
	0 ... 1500 Hz					●			●
	0 ... 200 Hz		●				●		
	0 ... 300 Hz						●		●
	0 ... 400 Hz			●				●	
	0 ... 500 Hz	●						●	
Suitable for 2:1 technology					✓				●
	✓, Reverse polarity protection diode not required								
Indication of the switching state	LED, yellow		●	●	●	●			●
Protection degree	IP66 / IP67		●	●	●	●			
	IP67	●	●	●	●	●	●	●	●
Connection type	Device connector M12 x 1, 4-pin								
	cable PVC, 2 m	●	●	●	●	●			

Use in the Hazardous Area

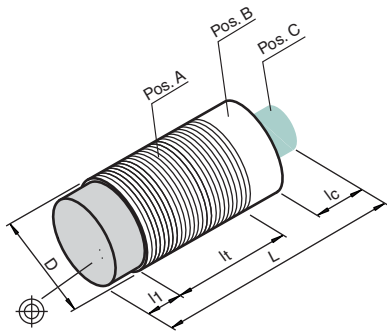
Use in the hazardous area	see instruction manuals	●	●	●	●	●	●	●	●
Category	1G; 2G						●	●	
	1G; 2G; 1D	●	●	●					●
	1G; 2G; 3G								●
	1G; 2G; 3G; 1D; 3D		●						
	1G; 2G; 3G; 3D				●				

Approvals and Certificates

Control drawing	116-0165F	●	●	●	●	●	●	●	●
UL approval	cULus Listed, General Purpose	●	●	●	●	●	●	●	●
CSA approval	cCSAus Listed, General Purpose	●	●	●	●	●	●	●	●
CCC approval	Products with a maximum operating voltage of ≤36 V do not bear a CCC marking because they do not require approval.								

Dimensions

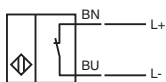
Length L [mm]		40	70	40	50	55			
Diameter D [mm]					18				
Thread length l _t [mm]		40	24	37	70	37	27	40	24
Cap length l ₁ [mm]		0	16	0	0	10	0	16	0
Connector area l _c [mm]				0				10	
LED position	Pos.	-		C				-	C



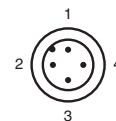
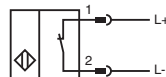
Electrical Connection



- NCB5-18GM40-N0
- NCB5-18GM70-N0
- NJ5-18GM-N
- NCB8-18GM40-N0
- NCN8-18GM40-N0
- NJ8-18GM-N



- NCB5-18GM40-NV-V1
- NJ5-18GM-N-V1
- NCB8-18GM40-N0-V1
- NCN8-18GM40-N0-V1
- NJ8-18GM-N-V1



Wire colors in accordance with EN 60947-5-6

- 1 | BN (brown)
- 2 | BU (blue)